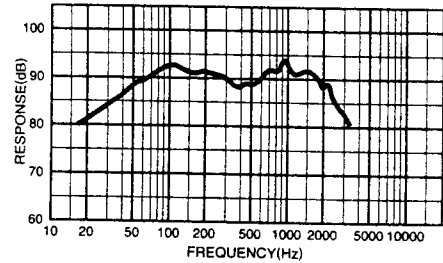


Technical Specifications

	SYMBOL	UNIT	KFC-WF252
Nominal Impedance	Z	ohms	4
DC Resistance	Revc	ohms	3.3
Voice Coil Inductance	Levc	mH	0.8
Piston Area	Sd	Sq.m	0.0347
Force Factor	BL	T.m	9.07
Volume Acoustic Compliance	Vas	liter	41.6
		Cu.ft	1.47
Moving Mass	Mms	g	53.3
Resonant Frequency	Fs	Hz	44.2
Mechanical Q Factor	Qms		8.81
Electrical Q Factor	Qes		0.59
Total Q Factor	Qts		0.55
Peak Power	W	Watts	400
Peak Excursion	Xmax	mm	8.25
Displacement		CC	2220
		Cu.ft	0.078
Mounthing Depth		in	4-5/16
Weight Of Magnet		oz	26.1
Voice Coil		in	2

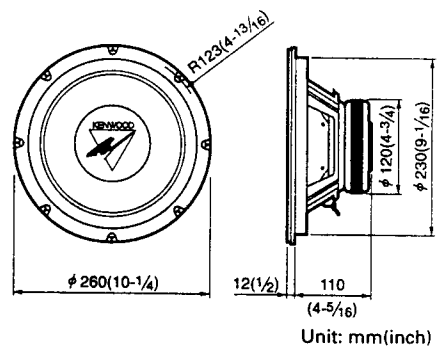
Frequency response

KFC-WF252



Dimensions

KFC-WF252



Recommended Enclosures

	UNIT	KFC-WF252
Width (W)	in (mm)	16 (406)
Height (H)	in (mm)	20.5 (521)
Depth (D)	in (mm)	11.5 (292)
Port Diameter (d)	in (mm)	3 (76)
Port Length (l)	in (mm)	4 (102)
Mounthing Hole Diameter	in (mm)	9-1/8 (232)
Displacement	Cu.ft	0.078
Box Volume	Cu.ft	1.5

Above dimensions (W, H, D) are based on 3/4 inch thickness board.

